

GELCOAT



Model GR5410L

Model GR5410L
(Left-hand drain)

Model GR5410R
(Right-hand drain)

Length: 59 5/8" (1514mm)

Width: 31 1/4" (794mm)

Height: 21 7/8" (556mm)

Shipping Weight: 66 lbs. (30Kg)

Materials: Gelcoat finish reinforced with fibreglass.



Model 5530L/R Side Walls
and 5760 Back Wall

A full size five foot receptor that can fit in a standard five foot pocket. Ideal for replacement of steel enameled baths or in new construction. This unit features a generous seat for added comfort. Combining the GR5410 receptor with the Bowen Wallset (5530L/R side walls and 5760 back wall) creates the complete shower unit.

Standard Features:

- Easy to clean high gloss surface
- Chip and mar resistant
- Moulded-in floor pattern

Colours:

- Standard: White, Almond (Bone) or Biscuit.
- Optional: Kohler Colours

All products manufactured by Hytec are covered by a comprehensive five-year limited warranty from the date of sale to the original owner. See the Hytec Bathing Fixtures List Price Book for further details.

Hytec Plumbing Products

(Division of Kohler Canada Co.)

4150 Spallumcheen Dr, Armstrong BC V0E 1B6

Ph. (800) 871-8311 (250) 546-3196 Fax (250) 546-3170

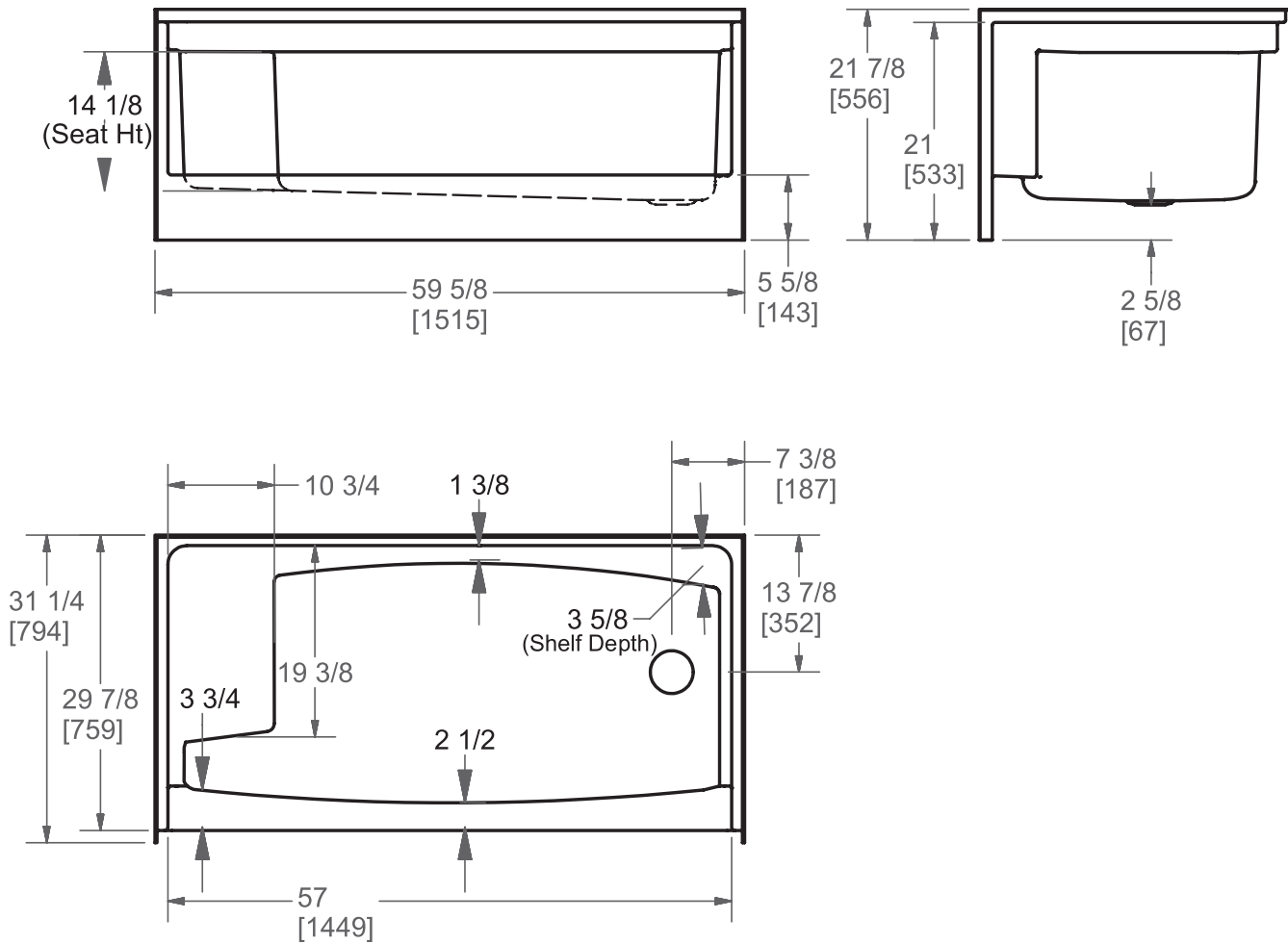
HYTEC
A KOHLER COMPANY

BOWEN™ RECEPTOR

Model GR5410L/R

Hytec.ca

GELCOAT



Measurement tolerances $\pm 1/4"$ (6.3 mm)

All bathing fixtures comply with the applicable Canadian Standards.

For installation procedures, please refer to instructions included with each unit.

This sheet approximately describes products and equipment manufactured or supplied by Hytec Plumbing Products. Because of ongoing efforts to improve both design and quality, products and equipment actually furnished may differ without prior notice.



Hytec Plumbing Products

(Division of Kohler Canada Co.)

4150 Spallumcheen Dr, Armstrong BC V0E 1B6

Ph. (800) 871-8311 (250) 546-3196 Fax (250) 546-3170